

A

A

B

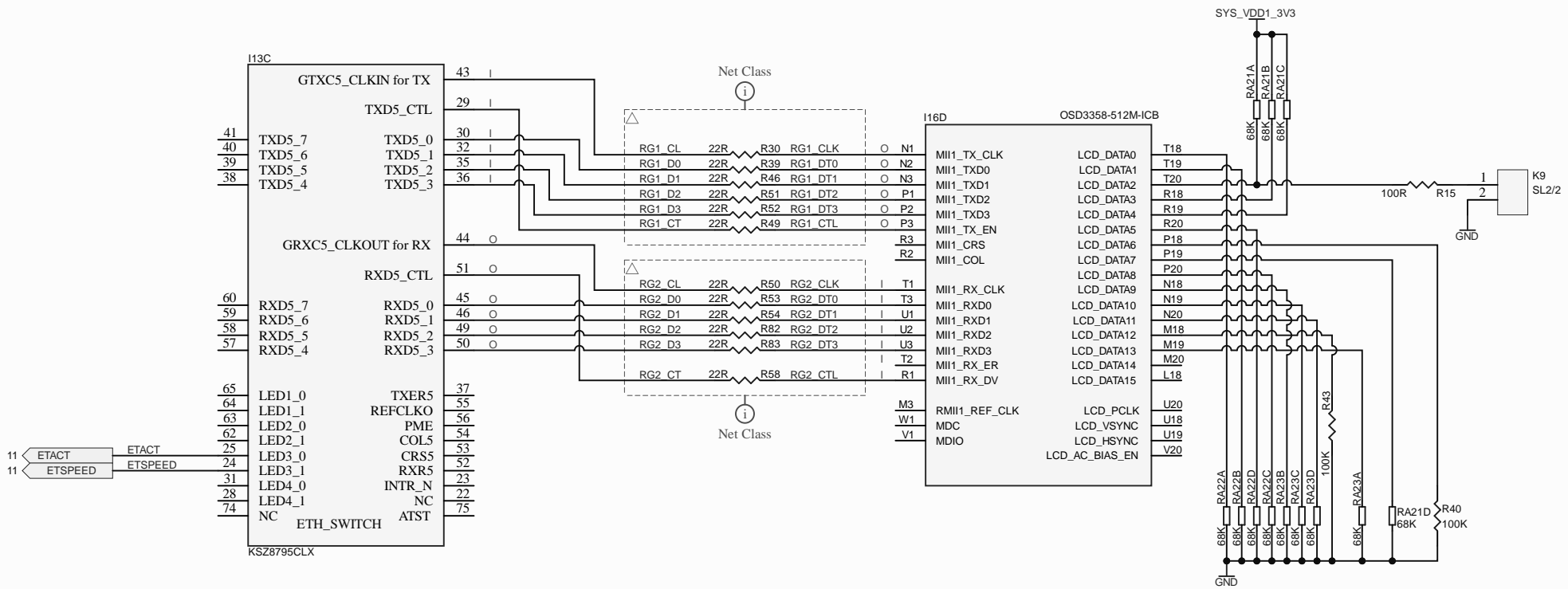
B

C

C

D

D



Title		
Size	Number	Revision
A4		
Date:	5.26.2020	Sheet of
File:	C:\Data\...\[14]-OCTAVO4.SchDoc	Drawn By: